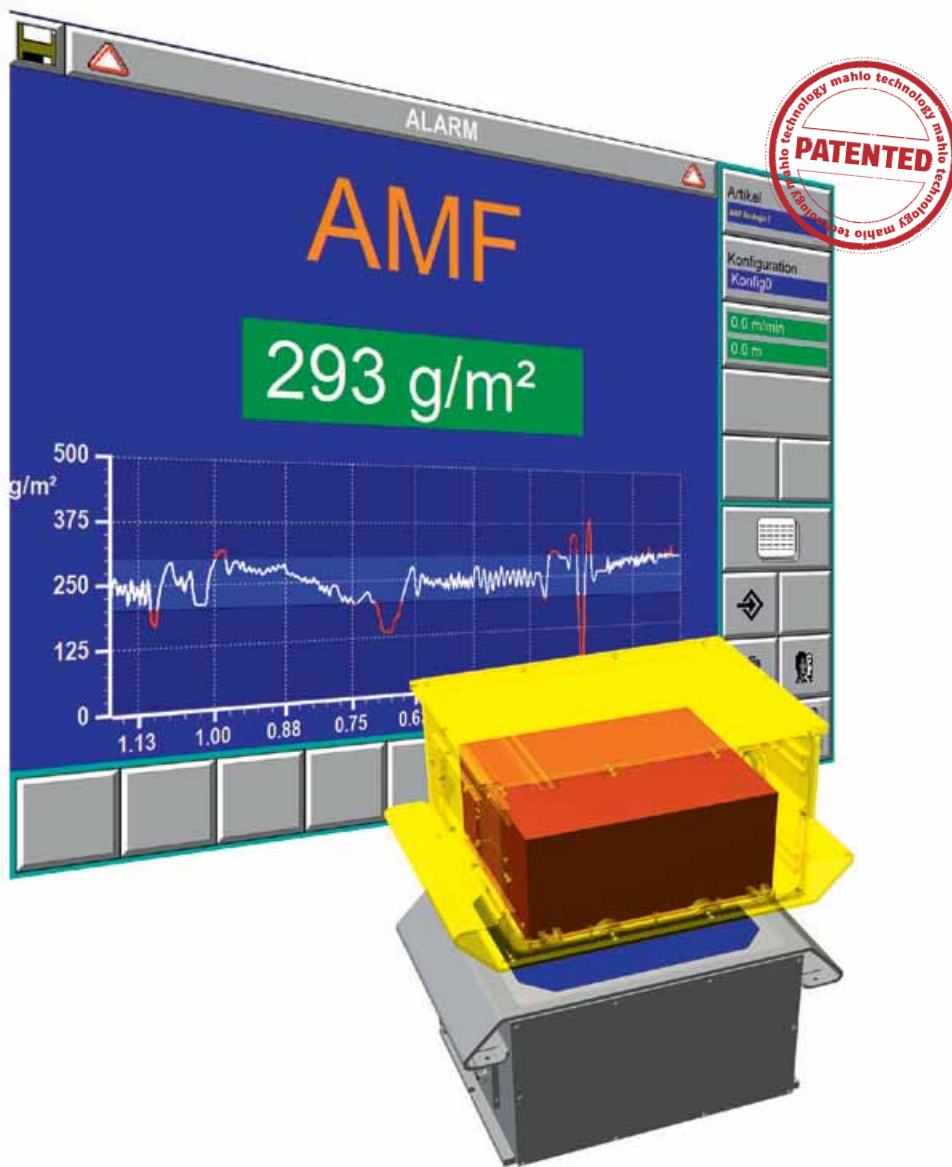


# AQUALOT AMF

Microwave Moisture Measurement



AQUALOT AMF





TEXTILE



NONWOVENS



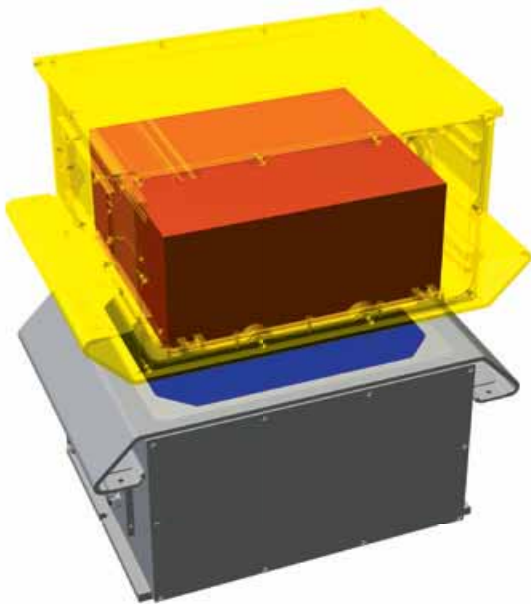
PAPER



PLASTIC

# AQUALOT AMF

## Moisture measurement



### Tasks

Continuous, exact and non-contacting monitoring of the moisture content of meter goods is extremely important for the quality and productivity in many process control processes in the nonwovens, textile, paper and plastics industry as well as in coating technology.

### Solution

The AQUALOT AMF sends microwaves through the moist product web. The water in the product causes damping and phase shifting of the microwaves. The material moisture can be determined by comparing the output and input signals.

### Benefit

AQUALOT AMF permits the exact determination of the total material moisture. The measurement is contactless and non-destructive. The ascertained moisture value can be supplied to a controller as actual value to regulate the web speed, dryer output or squeezing pressure.

### Product highlights

- ✓ Measuring the total aqueous material moisture, contactless and non-destructive
- ✓ High measuring accuracy
- ✓ Optimisation of drying and application processes in regard to homogeneity, productivity and energy efficiency

### Customer benefits

- ✓ Non-destructive, continuous determination of the moisture (H<sub>2</sub>O) of product webs
- ✓ High stability and measuring accuracy with minimal calibration effort
- ✓ Long life expectancy through the use of high-quality components
- ✓ Broad measuring range

### Applications

- Moisture measurement of textiles, carpets, tyre fabric, nonwovens, glass mats, paper, cardboard, foils, ceramic foil, adhesive tape, abrasives, veneering, sponge cloth, etc.
- Application measurement of water-soluble coatings (e.g. colour, glue or foam)
- Measurement of intermediate moisture
- Residual moisture measurement after dryers
- Online monitoring of dyeing processes
- Contactless measurement of the size application

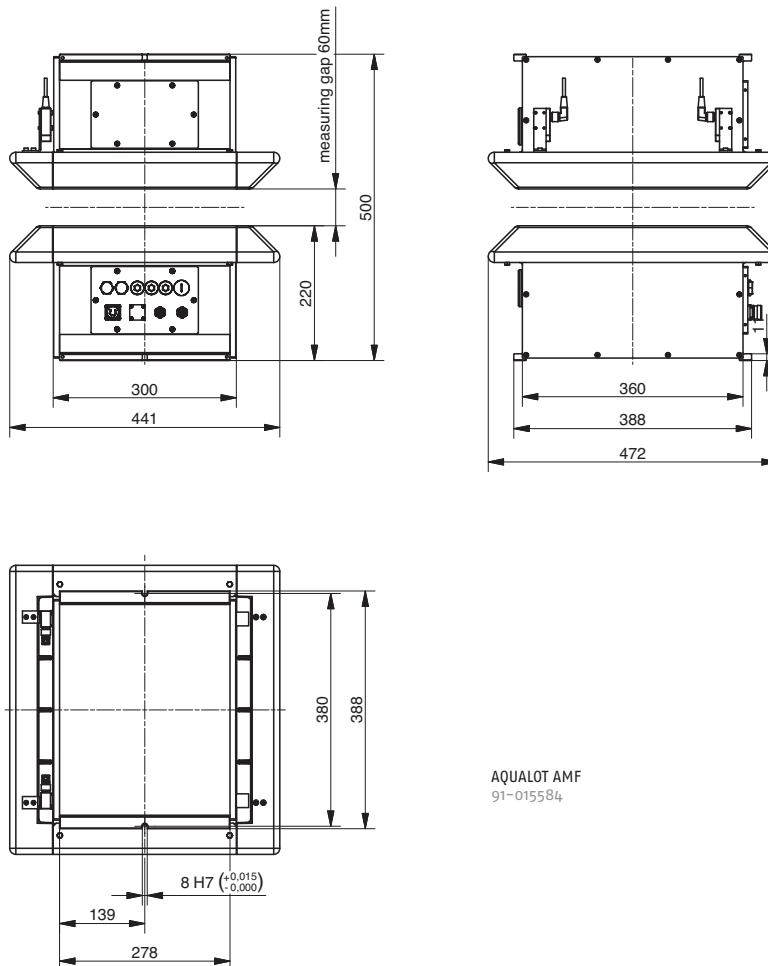
### Can be used in

- OPTIPAC VMC-12
- ORTHOPAC RVMC-12

**TECHNICAL DATA | AQUALOT AMF**

<b>Sensor</b>	<b>Aqualot AMF</b>
<b>Measuring principle</b>	Microwave moisture measurement
<b>Measuring range</b>	5 - 2000 g (H <sub>2</sub> O)/m <sup>2</sup> , 5 - 300 % relative
<b>Resolution</b>	1 - 2 g/m <sup>2</sup> (at approx. 300 g (H <sub>2</sub> O)/m <sup>2</sup> ) approx. 5 g/m <sup>2</sup> (at approx. 1000 g (H <sub>2</sub> O)/m <sup>2</sup> )
<b>Measuring spot size</b>	approx. 250 cm <sup>2</sup>
<b>Measuring gap</b>	60 mm
<b>Power supply</b>	24 V DC
<b>Max. ambient temperature</b>	50 °C

**Dimensions**



AQUALOT AMF  
91-015584

Monitoring and control systems, automation:

# MAHLO® GUARANTEES QUALITY. WORLDWIDE, IN YOUR VICINITY.

Best-possible technical support and transfer of know-how are written in capital letters at Mahlo®. Thanks to an international network of agencies and service centres, customers have at their disposal competent support worldwide. We are there for you 365 days a year, 24 hours a day. Just get in touch with us!

- ✓ Over 40 service centres worldwide
- ✓ Prompt service and supply of spare parts within 24 hours
- ✓ Remote diagnostic system
- ✓ Service-hotline: +49-180-5062456



Overall management of Mahlo GmbH + Co. KG  
and all subsidiary companies:  
Ralf Hopp, Dipl.-Ing. (FH)

**Mahlo GmbH + Co. KG Germany**

Donaustr. 12, 93342 Saal/Donau  
Contact: Ralf Hopp  
Tel.: +49-9441-601-0  
Fax: +49-9441-601-102  
info@mahlo.com

**Mahlo Italia S.R.L. Italy**

Via Fiume 62, 21020 Daverio  
Contact: Michel Bruni  
Tel.: +39-0332-94-95-58  
Fax: +39-0332-94-85-86  
mahlo.italia@mahlo.com

**Mahlo America Inc. USA**

P.O. Box 2825, Spartanburg, S.C. 29304  
Contact: Alan Lavore  
Tel.: +1-864-576-62-88  
Fax: +1-864-576-00-09  
mahlo.america@mahlo.com

**Mahlo España S.L. Spain**

C/ Santa Margarida, s/n - Nave nº13  
Poligono Industrial Riera de Caldes - Boada Vell  
E08184 Palau Solità i Plegamans (Barcelona)  
Contact: Jordi Grass  
Tel.: +34-90-20062-30  
Fax: +34-90-20062-40  
mahlo.espana@mahlo.com

**Mahlo Ouest S.P.R.L. Belgium**

Quartum Center  
Hütte 79 - Bte 10  
4700 Eupen  
Contact: Manfred Havenith  
Tel.: +32-87-59-69-00  
Fax: +32-87-59-69-09  
mahlo.ouest@mahlo.com

**Mahlo de Mexico SA de CV. Mexico**

Av. del Iman 580, Edif. La Joya, Depto. 304,  
Col. Pedregal de Carrasco, Del. Coyoacán D.F., CP 04700  
Contact: Jordi Grass  
Tel.: +52-555-606-47-52  
Fax: +52-555-606-47-52  
mahlo.mexico@mahlo.com

**WWW.MAHLO.COM**



Quality made  
in Germany

1945  
2005  
**60 YEARS**  
MAHLO

