

INNOVATION

mahlo
trendsetting technology. worldwide.

ORTHOFACT MMB-12 A

Automatic pin alignment wheel system



ORTHOFACT MMB-12 A



PIN STRAIGHTENING SYSTEM



TEXTILE



NONWOVENS



PAPER



PLASTIC

ORTHOFACT MMB-12 A

Automatic distortion correction

Tasks

Asymmetrical distortions (wavy, S-shaped, etc.) in textiles have always represented a huge challenge in the textile industry. A special straightening approach is needed particularly when the straightening process cannot be performed with a stenter (e.g. before decatizers, digital printing systems, etc.).



Solution

Distortion always means that the rectangular structure of warp and weft threads is distorted resembling something like a parallelogram. To restore the warp and weft threads to their original state, a defined lateral tension is generated using freewheeling, inclined pin wheels. This cross-tension stretches the warp threads. The resultant force controls the freewheeling pin wheels, since the weft threads will always seek out the shortest path from selvedge to selvedge. The distortion, no matter whether wavy or S-shaped, will be corrected.

Product highlights

- ✓ Space-saving design, thus easy integration
- ✓ Optional lateral shifting facility for use in front of the printing press
- ✓ Can be combined with Mahlo straightening and process control systems
- ✓ Product speeds up to 80 m/min.
- ✓ Web product width up to 3400 mm

Customer benefits

- ✓ Reliable, quick distortion correction
- ✓ Effective also with asymmetric distortions
- ✓ Less spoilage

Special Mahlo®-Know-How

The lateral tension is generated with two inclined pin wheels. Two pneumatic cylinders, both supplied with the same pneumatic line, are used to generate a consistent straightening effect.

To compensate friction losses and component tolerances, a spring generates a counterforce which forces the uniform symmetric alignment of the pin wheels. Elaborate lever constructions requiring intensive maintenance can thus be dispensed with.

The system can be combined with other Mahlo straightening and process control systems.

Applications

- Wool equipment
- Decatising equipment
- Digital printing machines
- Stenters
- Etc.

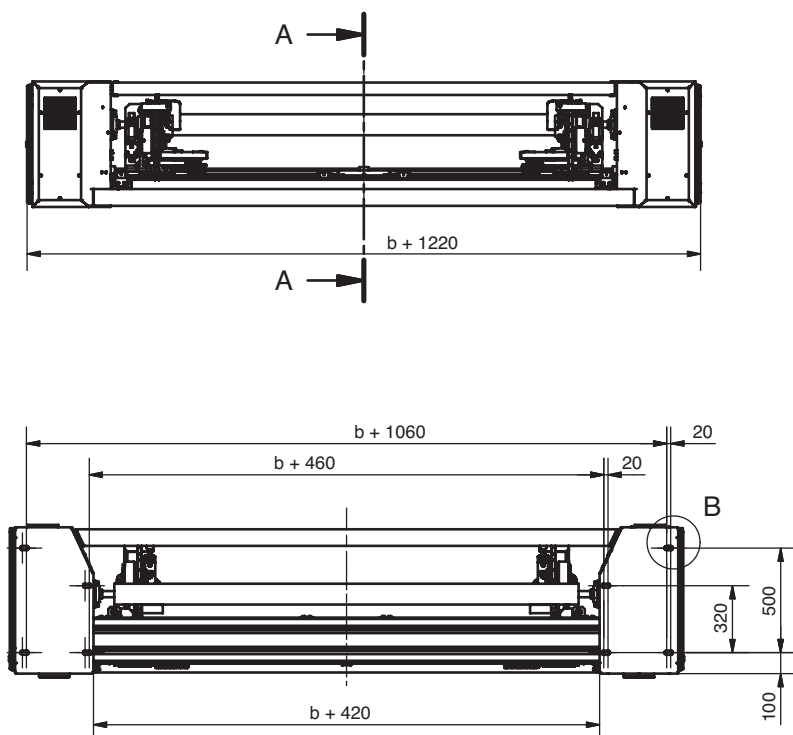
Can be used in

- Stand-alone

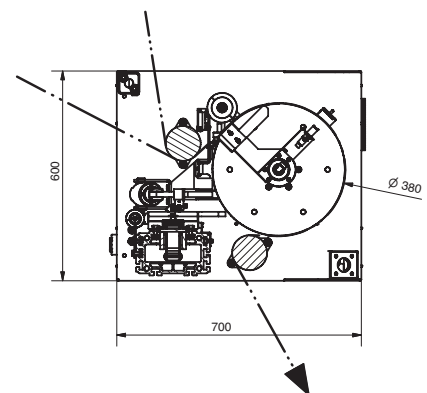
TECHNICAL DATA | ORTHOFAC MMB

Straightener	Orthofact MMB
Product width	1200 – 3400 mm (larger web width upon request)
Max. product speed	80 m/min
Possible lateral tension	1200 N
Product guidance	Pin bars on straightening wheels
Straightening wheel diameter	380 mm
Drive of the traversing movement	Asynchronous motor
Drive of the straightening wheel swivel movement	Pneumatic cylinder
Weight (at w = 2000 mm)	Approx. 600 kg
Power supply	3 ~ 400 V / N / PE 50/60 Hz
Max. power consumption	1 kVA
Max. ambient temperature	45 °C

Dimensions



ORTHOFACT MMB
91-015685



Monitoring and control systems, automation:

MAHLO® GUARANTEES QUALITY. WORLDWIDE, IN YOUR VICINITY.

Best-possible technical support and transfer of know-how are written in capital letters at Mahlo®. Thanks to an international network of agencies and service centres, customers have at their disposal competent support worldwide. We are there for you 365 days a year, 24 hours a day. Just get in touch with us!

- ✓ Over 40 service centres worldwide
- ✓ Prompt service and supply of spare parts within 24 hours
- ✓ Remote diagnostic system
- ✓ Service-hotline: +49-180-5062456



Overall management of Mahlo GmbH + Co. KG
and all subsidiary companies:
Ralf Hopp, Dipl.-Ing. (FH)

Mahlo GmbH + Co. KG Germany

Donaustr. 12, 93342 Saal/Donau
Contact: Ralf Hopp
Tel.: +49-9441-601-0
Fax: +49-9441-601-102
info@mahlo.com

Mahlo Italia S.R.L. Italy

Via Fiume 62, 21020 Daverio
Contact: Michel Bruni
Tel.: +39-0332-94-95-58
Fax: +39-0332-94-85-86
mahlo.italia@mahlo.com

Mahlo America Inc. USA

P.O. Box 2825, Spartanburg, S.C. 29304
Contact: Alan Lavore
Tel.: +1-864-576-62-88
Fax: +1-864-576-00-09
mahlo.america@mahlo.com

Mahlo España S.L. Spain

C/ Santa Margarida, s/n - Nave nº13
Poligono Industrial Riera de Caldes - Boada Vell
E08184 Palau Solità i Plegamans (Barcelona)
Contact: Jordi Grass
Tel.: +34-90-20062-30
Fax: +34-90-20062-40
mahlo.espana@mahlo.com

Mahlo Ouest S.P.R.L. Belgium

Quartum Center
Hütte 79 - Bte 10
4700 Eupen
Contact: Manfred Havenith
Tel.: +32-87-59-69-00
Fax: +32-87-59-69-09
mahlo.ouest@mahlo.com

Mahlo de Mexico SA de CV. Mexico

Av. del Iman 580, Edif. La Joya, Depto. 304,
Col. Pedregal de Carrasco, Del. Coyoacán D.F., CP 04700
Contact: Jordi Grass
Tel.: +52-555-606-47-52
Fax: +52-555-606-47-52
mahlo.mexico@mahlo.com

WWW.MAHLO.COM



Quality made
in Germany

1945
2005
60 YEARS
MAHLO

