

WILOT WMR-12

Automatic Online Width Measurement



WILOT WMR-12



Quality made
in Germany



TEXTILE



NONWOVEN



COATING &
CONVERTING



PAPER



EXTRUSION

WILOT WMR

Width measurement



The Wilot WMR is a reliable instrument for determining the product width without contact during running operation, especially at the stenter delivery side. The system helps comply with quality requirements to lower costs. After all: Rejects and compromised quality have a major negative effect.



Customer benefits

- ✓ High repeatability
- ✓ Homogeneous product appearance
- ✓ Documentation of product quality
- ✓ Short amortisation times

Area of application



The Wilot WMR's usability is quite diverse. Stenters and the leveling stenter represent the main application areas.

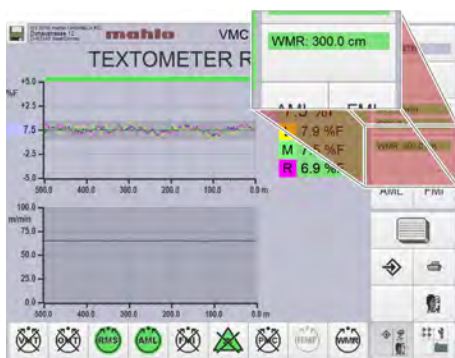


Product highlights

- ✓ One-sided measuring process
- ✓ Extremely wide range of products
- ✓ Wear-free LED technology
- ✓ Non-contacting and continuous
- ✓ Determines the product width with the greatest accuracy using digital signal processing
- ✓ Universal application

Control unit and digital display

Principle of operation



IR LEDs used as retro-reflective devices determine the product width. The operator can set the sensitivity of the sensors from the included control panel and specify the maximum and minimum product width for alarm functions. Since the sensor module only needs to be attached on one side of the product, mounting options are very flexible.

The unit consists of:

- Sensor module
- Electronics
- Control panel
- Digital display (optional)

Display of the product width

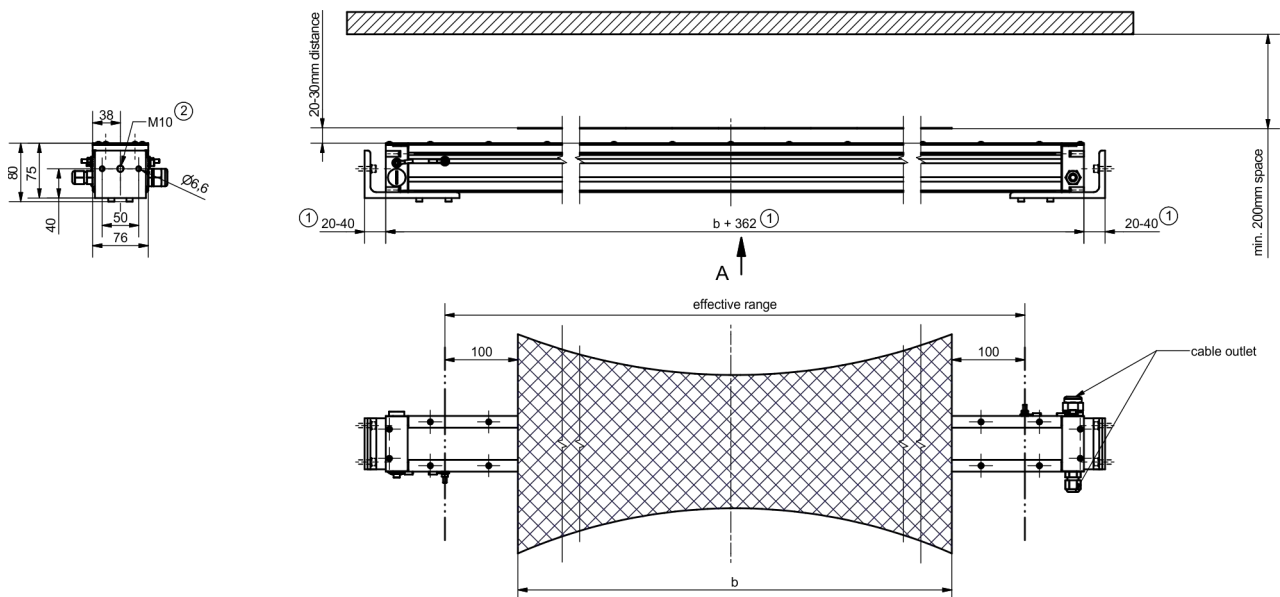
Different models are available to cover a wide variety of applications:

- Stand-alone version with digital display
- Module version with visualisation on an Optipac or Orthopac

TECHNICAL DATA

Specification	Value	Unit
Parameter	Product width	
Measuring principle	IR Reflection	
Measurement accuracy	(per side) ± 5	mm
Measuring value update	Depends on the size; ≈ 20	ms/m
Nominal product width, maximum	5600	mm
Weight	Depends on the version	
Version design	Aluminum	
Temperature range	0 - 50	$^{\circ}\text{C}$
IP protection class	IP 65	

Dimensions



Wilot WMR (91-013867-03)

Monitoring and control systems, automation:

MAHLO GUARANTEES QUALITY. WORLDWIDE, IN YOUR VICINITY.

Best-possible technical support and know-how transfer are written in capital letters at Mahlo. Thanks to an international network of agencies and service centres, customers have at their disposal competent support worldwide. We are there for you 365 days a year, 24 hours a day. Just get in touch with us!

- ✓ Over 40 service centres worldwide
- ✓ Service partners in over 100 countries
- ✓ Direct service and spare parts delivery within 24 hours
- ✓ Remote diagnostic system
- ✓ Service Hotline: +49-180-5062456



Mahlo GmbH + Co. KG - Germany

Donastr. 12
93342 Saal / Donau
Telephone: +49-9441-601-0
Fax: +49-9441-601-102
Email: info@mahlo.com

Mahlo Italia S.R.L. - Italy

Via Fiume 62
21020 Daverio
Telephone: +39-0332-94-95-58
Fax: +39-0332-94-85-86
Email: mahlo.italia@mahlo.com

Mahlo America Inc. - USA

575 Simuel Road
Spartanburg S.C. 29304
Telephone: +1-864-576-62-88
Fax: +1-864-576-00-09
Email: mahlo.america@mahlo.com

Mahlo Ouest S.P.R.L. - Belgium

Quantum Center
Hütte 79 - Bte 10
4700 Eupen
Telephone: +32-87-59-69-00
Fax: +32-87-59-69-09
Email: mahlo.ouest@mahlo.com

Mahlo España S.L. - Spain

Calle Luxemburgo nº 4
08303 Mataro (Barcelona)
Telephone: +34-938-640-549
Email: mahlo.espana@mahlo.com

Mahlo do Brasil Ltda. - Brazil

Rua dos Lírios 849 e 851
Cidade Jardim II
Americana / SP CEP-13466-580
Telephone: +55-19-3407-7954
Fax: +55-19-3405-4743
Email: mahlo.brazil@mahlo.com

WWW.MAHLO.COM

Wilot WMR 84-010488, 1, en_GB

07/2018 Subject to revision!

© 2018 Mahlo GmbH + Co. KG

